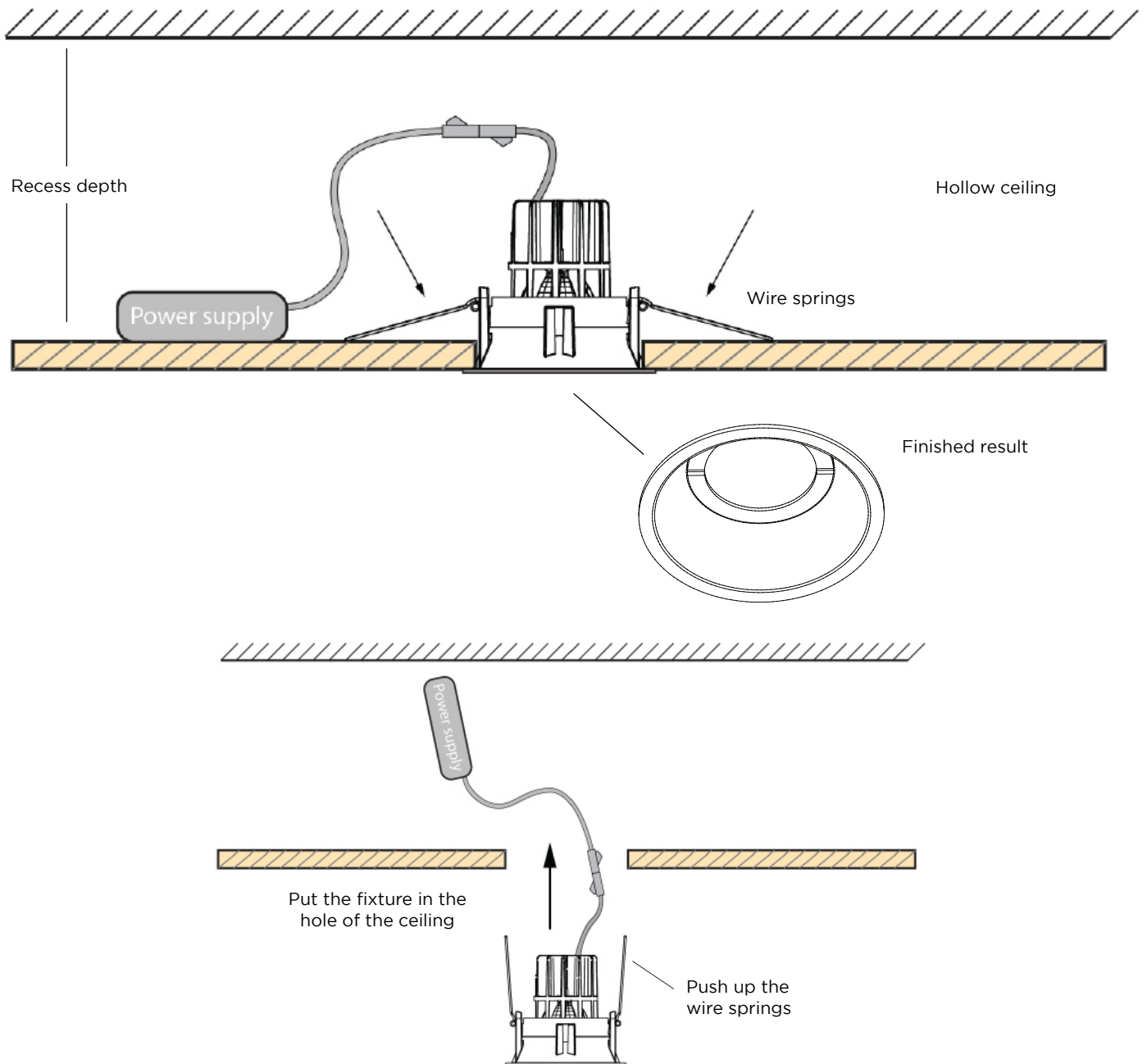


Good to *know*

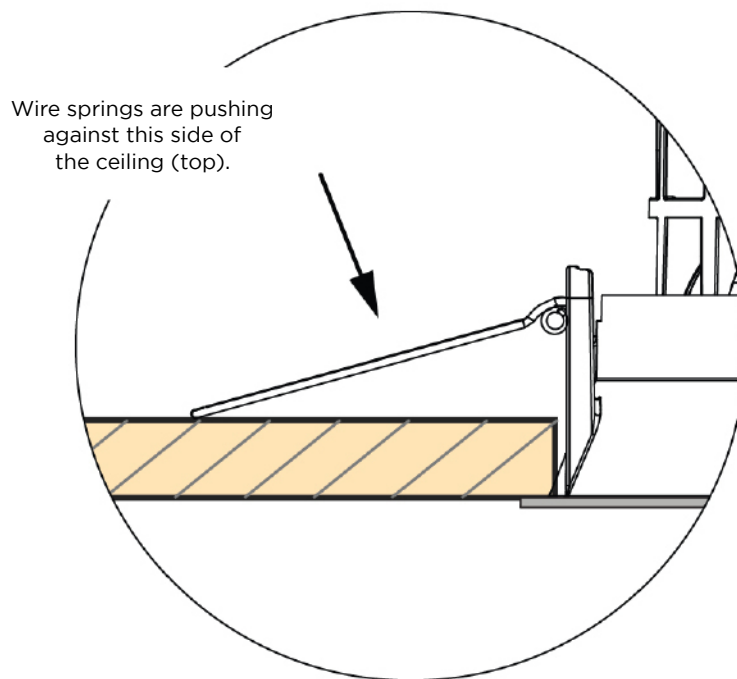
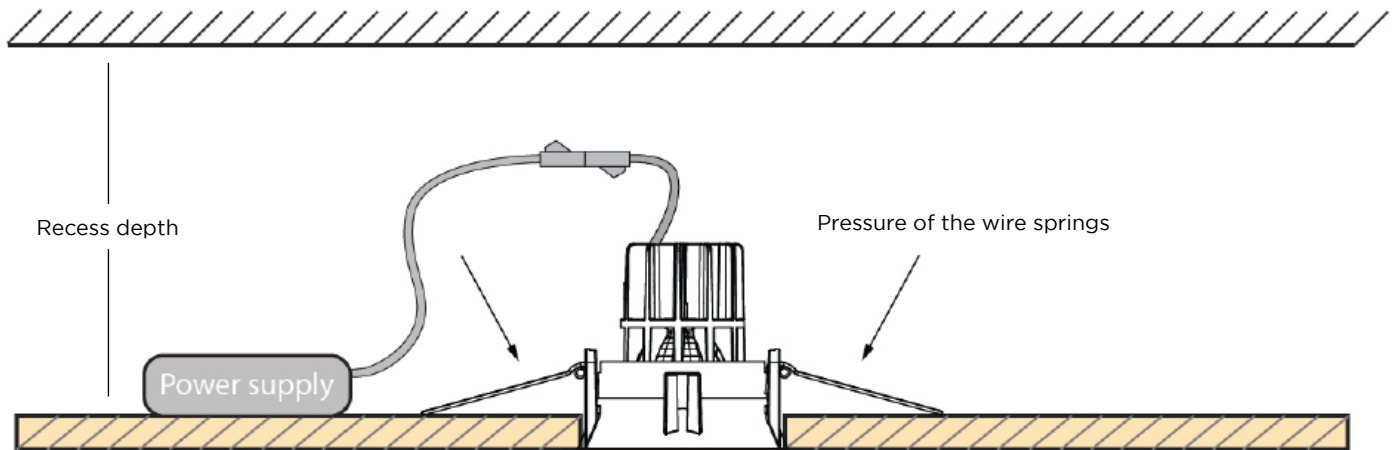
WIRE SPRINGS

- How to install fixtures with wire springs?



Good to *know*

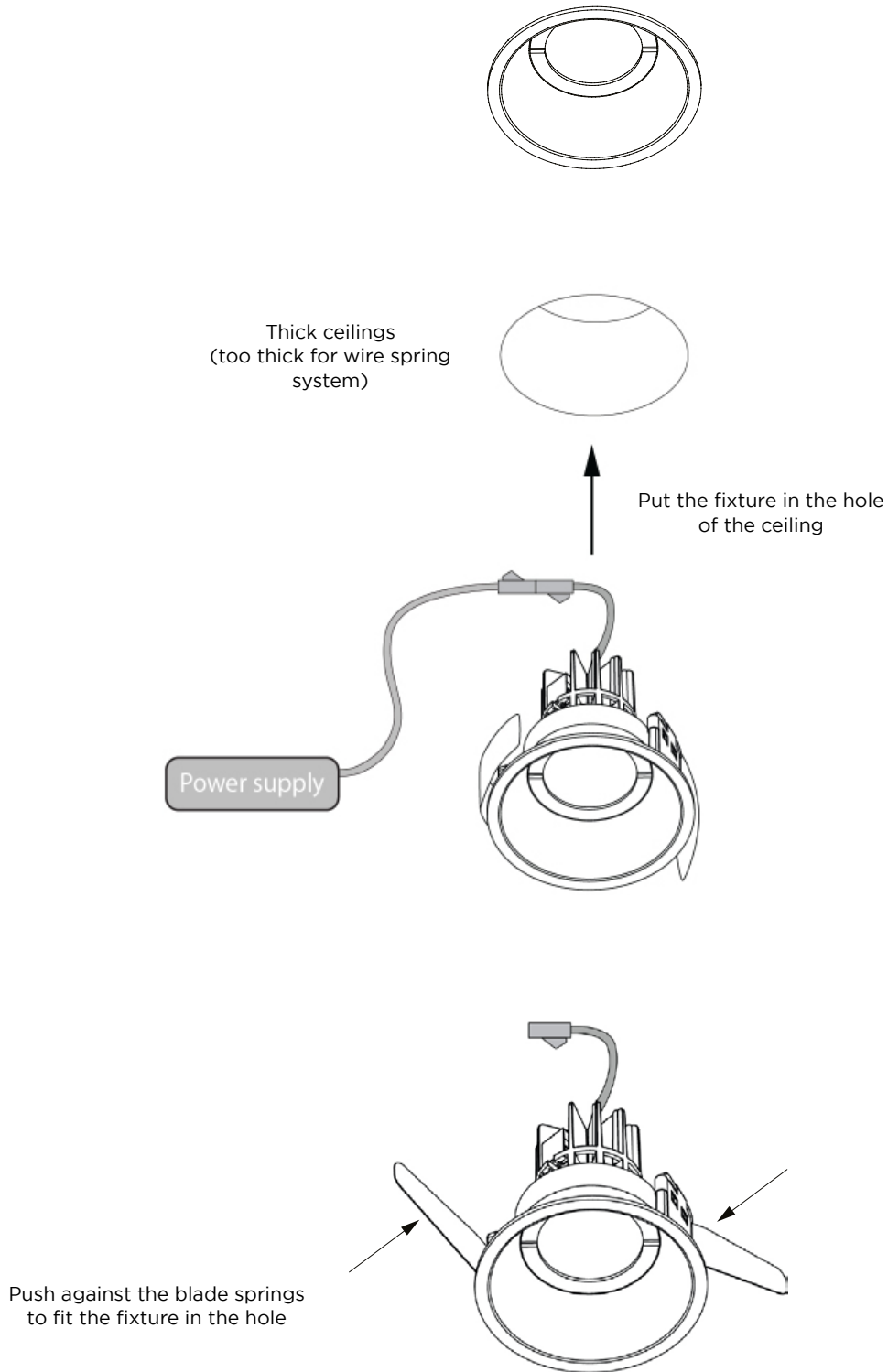
- Wire springs are used to mount fixtures in 'thin' hollow ceilings.



Good to *know*

BLADE SPRINGS

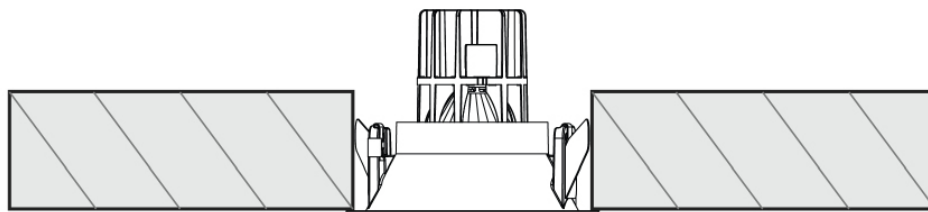
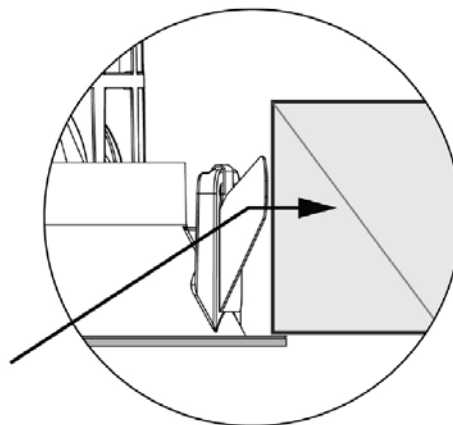
- How to install fixtures with blade springs?



Good to *know*

- Blade springs mounted in concrete ceiling
Blade springs allow fixtures to be mounted in thick massive ceilings.

Blade springs are pushing against this side of the ceiling.
When the ceiling has a high thickness (too thick for wire springs), blade springs are recommended.

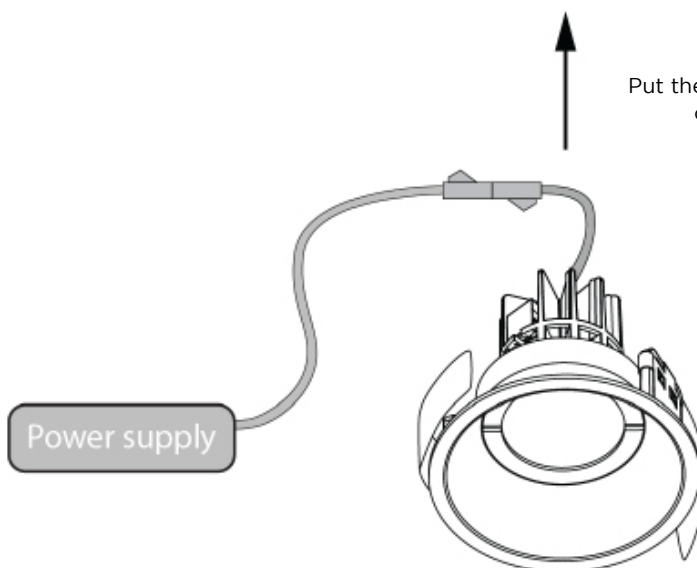


Thick massive ceiling

Thick ceilings
(too thick for wire springs)



Put the fixture in the hole
of the ceiling

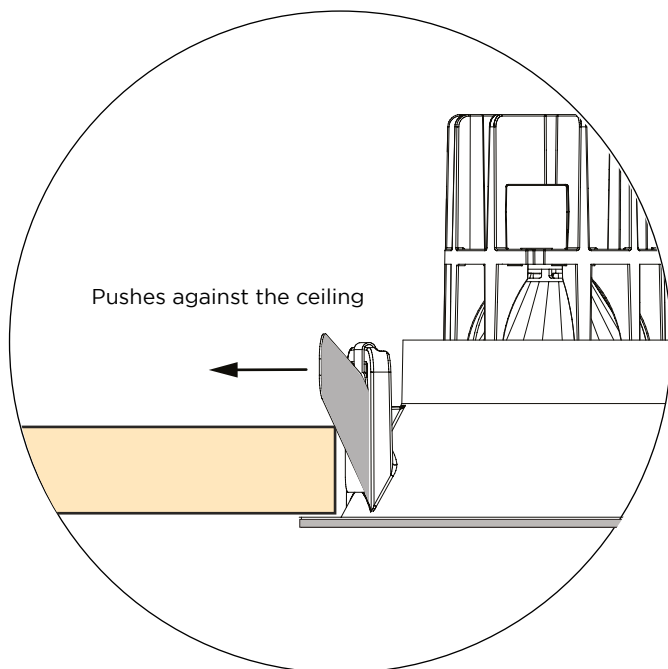


Good to *know*

- Blade springs mounted in a 'thin' hollow ceiling

IMPORTANT

Blade springs are mainly used to mount fixtures in a thick concrete ceiling but due to the versatility of the blade system, you can also use it in 'thin' hollow ceilings..



Blade springs are more versatile than the wire springs and can also be used in hollow ceilings where we normally use wire springs.

